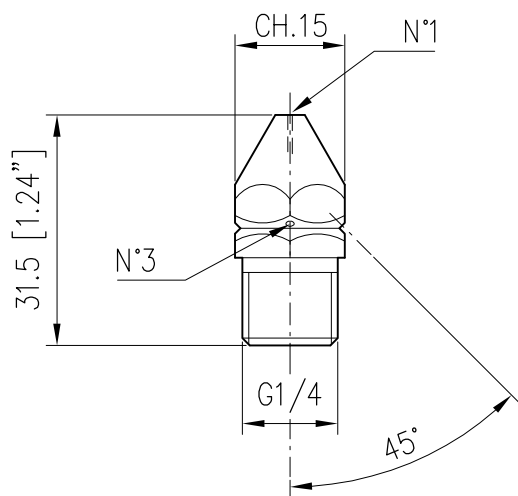


SPECIFICHE TECNICHE  
SPECIFICATIONS

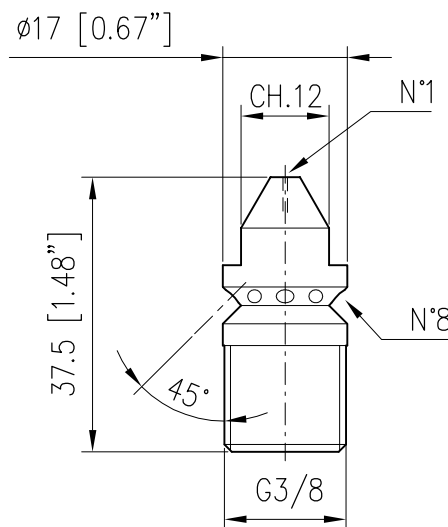
- PRESSIONE NOMINALE RATED PRESSURE	250 bar – 25 MPa (3650 psi)	- MATERIALE INOX MATERIAL S.S.
	120 bar – 12 MPa (1750 psi)	- MATERIALE OTTONE MATERIAL BRASS
- TEMPERATURA MASSIMA MAX WORKING TEMPERATURE	90° C (195°F)	
- MASSA WEIGHT	25.1201.51 – 24 gr (0.85 oz)	
	25.1210.51 – 36.7 gr (1.29 oz)	
	25.1216.31 – 27.3 gr (0.96 oz)	

MISURE D'INGOMBRO  
OVERALL DIMENSIONS

25.1201.51 F.P. 04 - MATERIALE INOX  
- MATERIAL S.S.



25.1210.51 F.P. 06 - MATERIALE INOX  
- MATERIAL S.S.



25.1216.31 F.P. 035 - MATERIALE OTTONE  
- MATERIAL BRASS

